

Distributor: **Electro-Stock** [www.electrostock.com](http://www.electrostock.com) Tel: 630-682-1542 Fax: 630-682-1562

**FEATURES:**

- Low power consumption: .12W
- Ultra light weight
- Narrow width ideal for high density mounting
- UL/CUL certified



20.2 x 5.3 x 12.8 mm

## CONTACT DATA

Contact Arrangement	1A = SPST N.O.
Contact Rating	5A @ 250VAC Resistive, 20K cycles 5A @ 30VDC Resistive, 20K cycles
Contact Resistance	< 50 milliohms initial
Contact Material	AgSnO <sub>2</sub>
Maximum Switching Power	150W, 1250VA
Maximum Switching Voltage	250VAC, 110VDC
Maximum Switching Current	5A

## COIL DATA

Coil Voltage VDC		Coil Resistance $\Omega \pm 10\%$	Pick Up Voltage VDC (max)	Release Voltage VDC (min)	Coil Power W	Operate Time ms	Release Time ms
Rated	Max.		75% of rated voltage	10% of rated voltage			
5	6.5	208	3.75	0.5	.12	10	5
6	7.8	300	4.50	0.6			
9	11.7	675	6.75	0.9			
12	15.6	1200	9.00	1.2			
18	23.4	2700	13.5	1.8			
24	31.2	3200	18.00	2.4	.18		

**CAUTION:**

1. The use of any coil voltage less than the rated coil voltage may compromise the operation of the relay.
2. Pickup and release voltages are for test purposes only and are not to be used as design criteria.

## GENERAL DATA

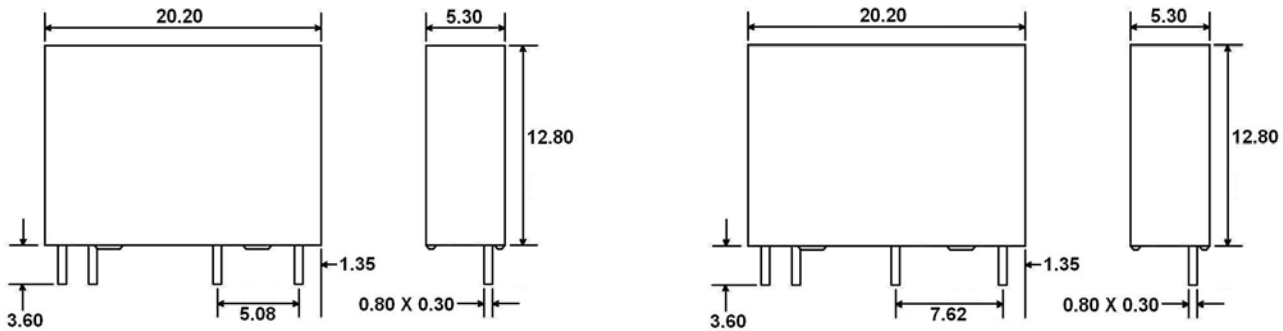
Electrical Life @ rated load	100K cycles, typical
Mechanical Life	10M cycles, typical
Insulation Resistance	100M $\Omega$ min @ 500VDC
Dielectric Strength, Coil to Contact	2000V rms min. @ sea level
Contact to Contact	1000V rms min. @ sea level
Shock Resistance	100m/s <sup>2</sup> for 11ms
Vibration Resistance	1.50mm double amplitude 10-40Hz
Terminal (Copper Alloy) Strength	5N
Operating Temperature	-40 °C to + 85 °C
Storage Temperature	-40 °C to + 155 °C
Solderability	230 °C $\pm$ 2 °C for 10 $\pm$ 0.5s
Weight	3g

Distributor: **Electro-Stock** [www.electrostock.com](http://www.electrostock.com) Tel: 630-682-1542 Fax: 630-682-1562

## ORDERING INFORMATION

<b>1. Series:</b>	WJ112	1A	S	12VDC
WJ112K				
<b>2. Contact Arrangement:</b>	1A = SPST N.O.			
<b>3. Sealing Options:</b>	S = Sealed			
<b>4. Coil Voltage:</b>	5VDC 6VDC 9VDC 12VDC 18VDC 24VDC			

## DIMENSIONS (Units = mm)

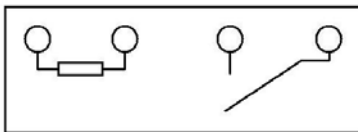


WJ112

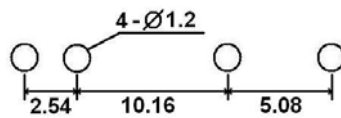
WJ112K

## SCHEMATICS & PC LAYOUTS (BOTTOM VIEWS)

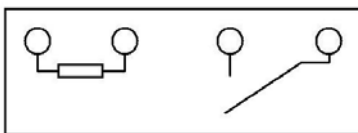
### WJ112



1A



### WJ112K



1A

